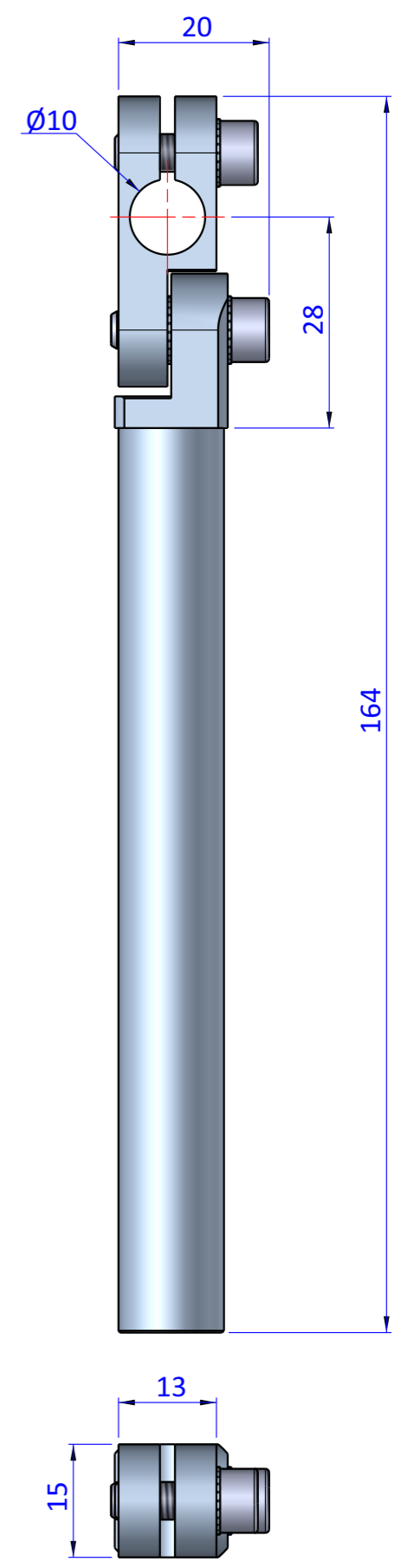
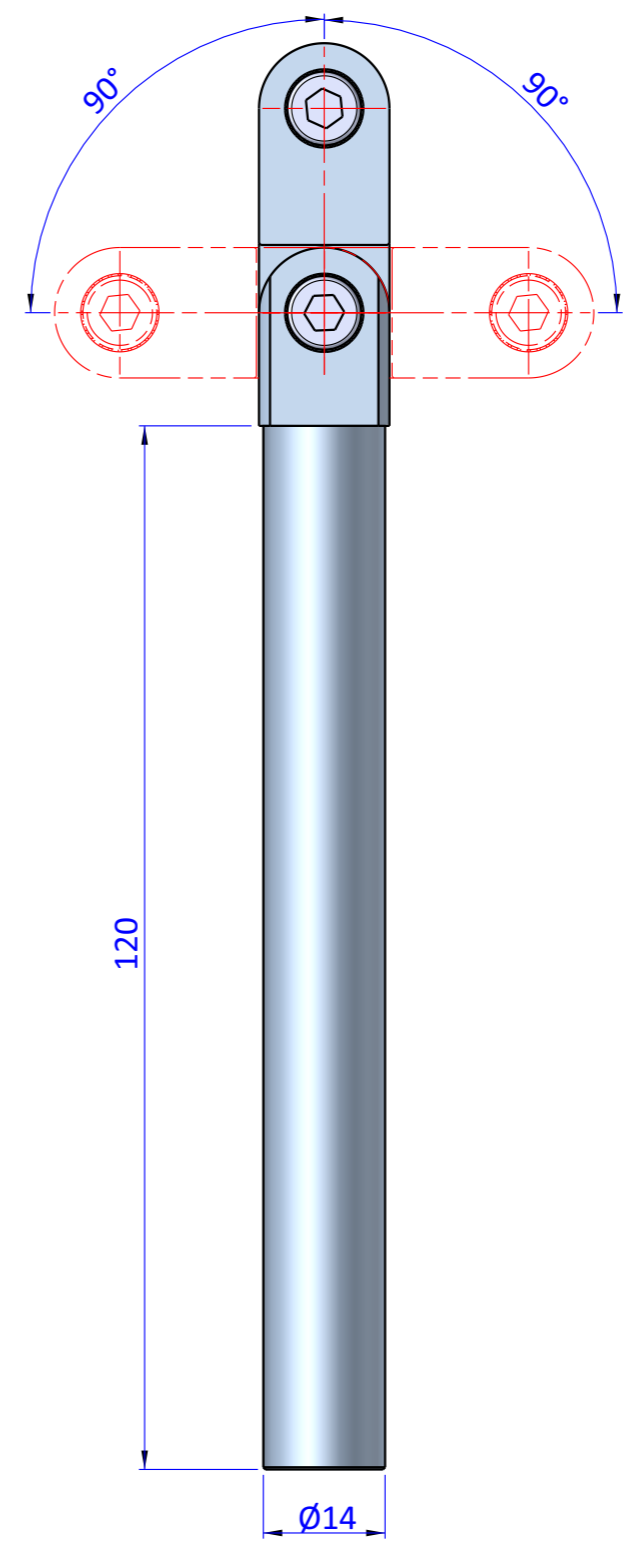
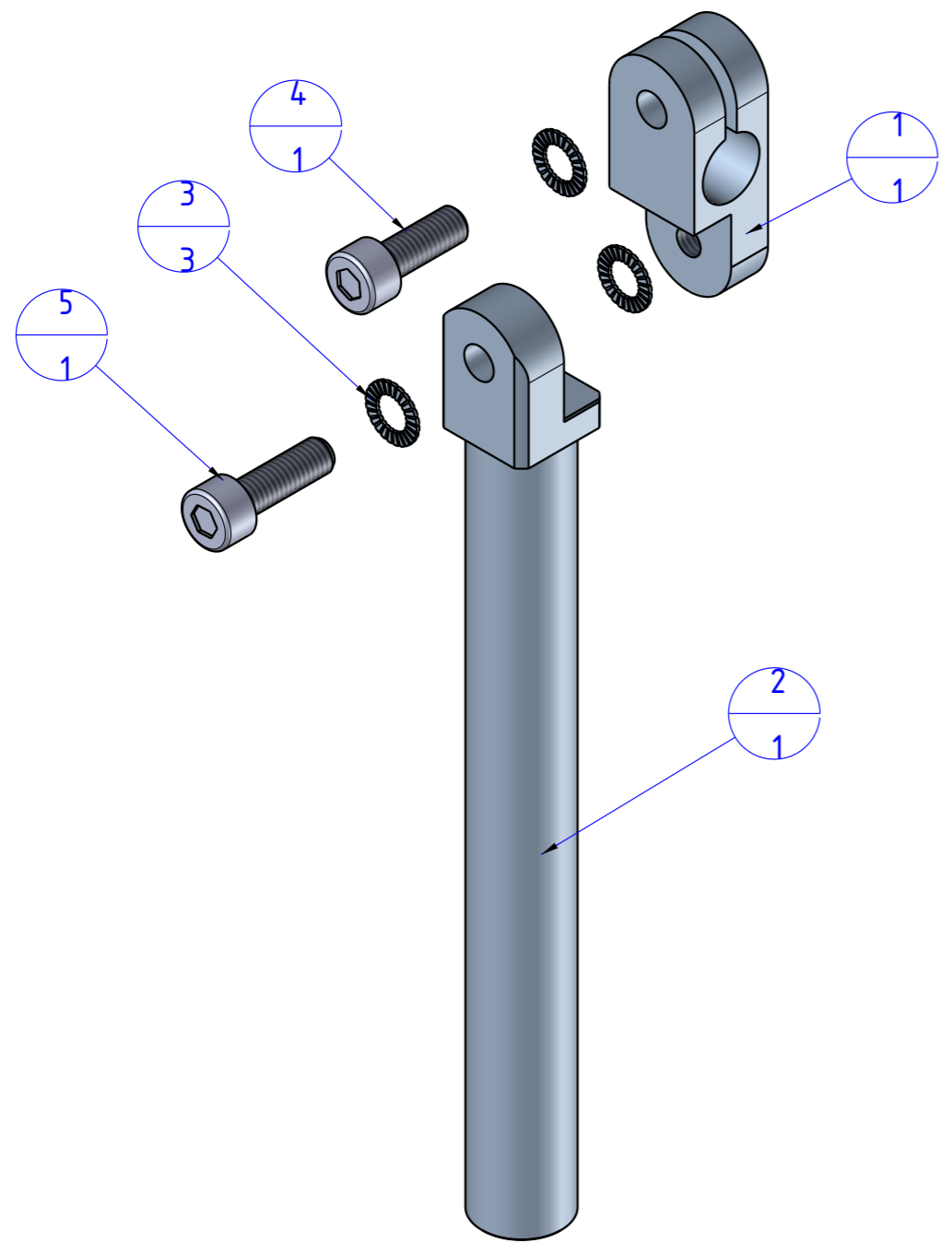

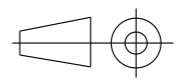


THE PROPERTY OF THE DRAWING IS ESTABLISHED BY LAW. IT IS FORBIDDEN TO PRODUCE OR SHOW IT TO THIRD PART. WITHOUT A WRITTEN AGREEMENT.

Item	Name	Q.ty
1	GLA.10.2.14	1
2	GLA.14.1.120	1
3	R.5.SCH	3
4	V.TCE5x14	1
5	V.TCE5x16	1



Format A3
UNI 936-76

 FPS FPSERVICES AUTOMATION			DESIGNED FROM FPS Automation	REVIEW A
GENERAL TOLERANCE UNI - ISO 2768 CLASSE f	DESCRIPTION CA.GLA.1410.120	DATE 03/09/2020	WEIGHT 0,046kg	CODE CA.GLA.1410.120